

EN FRONT LOAD WASHER

FR LAVEUSE Á CHARGEMENT FRONTAL

ES LAVADORA DE CARGA FRONTAL

USE & CARE GUIDE

GUIDE D'UTILISATION ET D'ENTRETIEN

GUÍA DE USO Y CUIDADO



Electrolux

2 Important Safety Instructions

Keep a record for quick reference

The model and serial numbers of your washer are found on the serial plate located inside the door opening. Record and retain these numbers.

Purchase date

Electrolux model number

Electrolux serial number

Read all instructions before using this appliance. This book contains valuable information about:

- Operation
- Care
- Service

Keep it in a safe place.

This *Use & Care Guide* provides general operating instructions for your washer. It also contains information about features for several other models. Your washer may not have every feature included.

Use the washer only as instructed in this *Use & Care Guide*.



NOTE

The instructions appearing in this *Use & Care Guide* are not meant to cover every possible condition and situation that may occur. Common sense and caution must be practiced when installing, operating and maintaining any appliance.

Table of Contents

Important Safety Instructions	2
Features	5
Operating Instructions	6
Controls and Settings	11
Stain Removal Guide	17
Care and Cleaning	19
Solutions to Common Problems	24
Limited Warranty	30

SAVE THESE INSTRUCTIONS FOR FUTURE REFERENCE.



WARNING - RISK OF FIRE

To reduce the risk of fire, electrical shock, or injury to persons when using this washer, comply with the basic warnings listed below. Failure to comply with the Important Safety Instruction warnings could result in property damage, serious personal injury, or death.



WARNING

Please read all instructions before using this washer.

Recognize Safety Symbols, Words and Labels

Safety items throughout this manual are labeled with a WARNING or CAUTION based on the risk type as described below:

Definitions

⚠ This is the safety alert symbol. It is used to alert you to potential personal injury hazards. Obey all safety messages that follow this symbol to avoid possible injury or death.



DANGER

DANGER indicates an imminently hazardous situation which, if not avoided, will result in death or serious injury.



WARNING

WARNING indicates a potentially hazardous situation which, if not avoided, could result in death or serious injury.



CAUTION

CAUTION indicates a potentially hazardous situation which, if not avoided, may result in minor or moderate injury.



IMPORTANT

Indicates installation, operation, or maintenance information which is important but not hazard-related.

Prevent Fire

- DO NOT wash items that have been previously cleaned in, soaked in, or spotted with gasoline, cleaning solvents, kerosene, cooking oils, waxes, or other flammable or explosive substances. DO NOT store these items on or near the washer. These substances give off vapors or chemical reactions that could ignite or explode.

- DO NOT put oily or greasy rags or clothing on top of the washer. These substances give off vapors that could ignite the materials.
- DO NOT add gasoline, cleaning solvents, or other flammable or explosive substances to the wash water. These substances give off vapors that could ignite or explode.
- Under certain conditions, hydrogen gas may be produced in a hot water system that has not been used for 2 weeks or more. HYDROGEN GAS IS EXPLOSIVE. If the hot water system has not been used for such a period, before using the washer, turn on all hot water faucets and let the water flow from each for several minutes. This will release any accumulated hydrogen gas. Hydrogen gas is flammable; DO NOT smoke or use an open flame during this time.
- DO NOT store or use gasoline or other flammable vapors or liquids in the vicinity of this or any other appliance.
- Failure to comply with these warnings could result in fire, explosion, serious bodily injury, and/or damage to the rubber or plastic parts of the washer.
- DO NOT continue to use the washer if you hear squeaking, grinding, rubbing, or other unusual noises. This could be a sign of mechanical breakdown and lead to fire or serious injury. Contact a qualified technician immediately.

Protect Children

- DO NOT allow children to play on or in the washer. Close supervision of children is necessary when the washer is used near children. As children grow, teach them the proper, safe use of all appliances.
- Recycle the carton, and dispose of the plastic bag and other packing materials after the washer is unpacked. Children might use them for play. Cartons covered with rugs, bedspreads, or plastic sheets can become airtight chambers.
- Keep laundry products out of children's reach. To prevent personal injury, observe all warnings on product labels.
- Before the washer is removed from service or discarded, remove the washer door to prevent accidental entrapment.
- Failure to comply with these warnings could result in serious personal injuries.

4 Important Safety Instructions

Prevent Injury

- To prevent shock hazard and assure stability during operation, the washer must be installed and electrically grounded by a qualified service person in accordance with local codes. *Installation Instructions* are packed in the washer for installer's reference. Refer to *Installation Instructions* for detailed grounding procedures. If the washer is moved to a new location, have it checked and reinstalled by a qualified service person.
- To prevent personal injury or damage to the washer, the electrical power cord of the washer must be plugged into a properly grounded and polarized 3-prong outlet. The third grounding prong must never be removed. Never ground the washer to a gas pipe. DO NOT use an extension cord or an adaptor plug.



WARNING

FIRE/ELECTRICAL SHOCK HAZARD

Avoid fire hazard or electrical shock. DO NOT use an adaptor plug or extension cord or remove grounding prong from electrical power cord. Failure to follow this warning can cause serious injury, fire or death.

Grounding type wall receptacle



Do not, under any circumstances, cut, remove, or bypass the grounding prong.

Power cord with 3-prong grounded plug



- Follow package directions when using laundry products. Incorrect usage can produce poisonous gas - resulting in serious injury or death.
- DO NOT combine laundry products for use in 1 load unless specified on the label.
- DO NOT mix chlorine bleach with ammonia or acids such as vinegar.



WARNING

HARMFUL VAPOR HAZARD

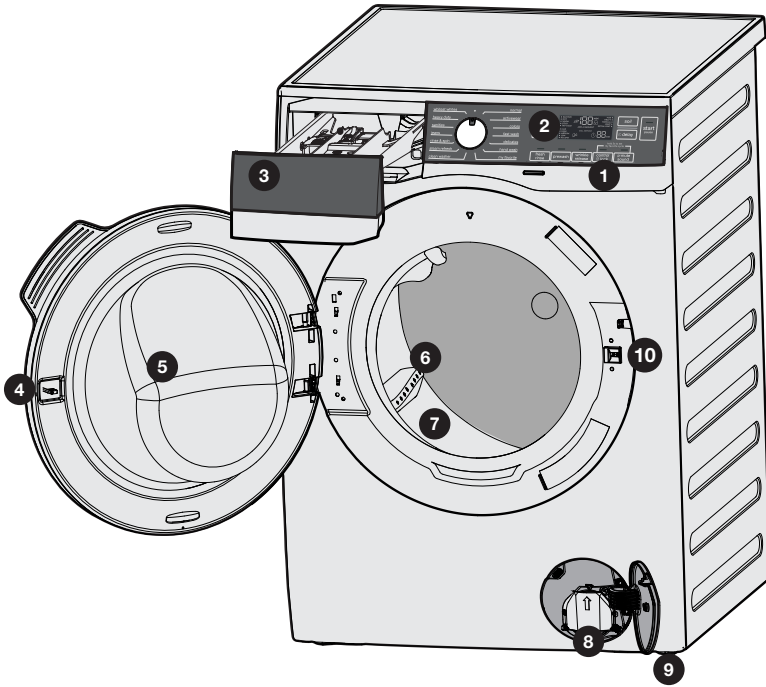
DO NOT use or mix liquid chlorine bleach with other household chemicals such as toilet cleaners, rust removers, acid or products containing ammonia. These mixtures can produce dangerous fumes which can cause serious injury or death.



Prevent Injury And Damage To The Washer

To prevent serious personal injury and damage to the washer:

- All repairs and servicing must be performed by an authorized service technician unless specifically recommended in this *Use & Care Guide*. Use only authorized factory parts.
- DO NOT tamper with controls.
- DO NOT install or store the washer where it will be exposed to the weather.
- DO NOT install on carpet. Install washer on a solid floor. It may be necessary to reinforce the floor to prevent vibration or movement.
- DO NOT sit, step or stand on the washer. Doing so may cause damage to the unit.
- To reduce the risk of electric shock, disconnect this appliance from the power supply before attempting any user maintenance. Canceling a cycle or turning controls to the OFF position DOES NOT disconnect this appliance from the power supply.
- To prevent injury, DO NOT reach into the washer while parts are moving. Before loading, unloading, or adding items, press the **power** button to stop the cycle. Allow the wash drum to coast to a complete stop before reaching inside.
- This washer is equipped with an electrical overload protector. The motor will stop if it becomes overheated.
- Failure to comply with these warnings could result in serious personal injuries.



1. Control Lock	6. Cascading Wash Vanes
2. LED Display	7. Stainless Steel Wash Drum
3. Laundry Product Dispenser Drawer	8. Pump Filter Cleanout
4. Door Striker	9. Adjustable Leveling Legs
5. Inner Glass with Small Article Redistribution Ramp	10. Door Latch with Safety Lock



As an ENERGY STAR® Partner, Electrolux Major Appliances has determined that this product meets the ENERGY STAR® guidelines for energy efficiency.

6 Operating Instructions

Normal Operating Sounds

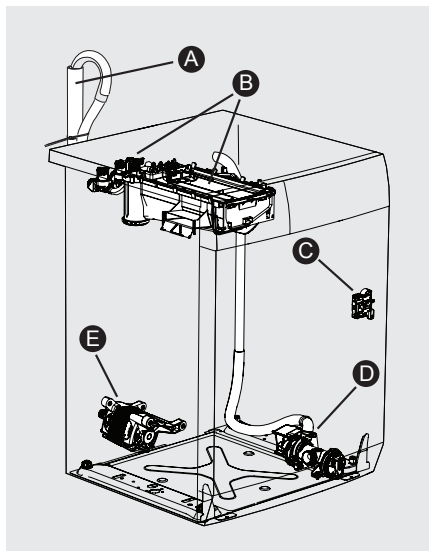
You may or may not hear the following sounds from your new washer:

- A. DRAIN HOSE** The washer has a flexible drain hose to carry water from the washer to the stand pipe of your home. You will hear water flowing into your stand pipe. This is a normal part of the operation of the washer.
- B. WATER VALVES/DISPENSER** As water enters the dispenser system, it is common to hear a water flowing sound. This normal sound will vary slightly based on the water pressure in your home.
- C. DOOR LOCK** Your washer is equipped with a door lock with an electric solenoid. There will be a clicking sound as the washer door is being locked or unlocked.
- D. DRAIN PUMP** Your washer is equipped with a high velocity drain pump. It is normal to hear humming and gurgling sounds as water is pumped from the washer. Both of these sounds are normal and indicate that your pump is functioning correctly.
- E. HIGH SPEED MOTOR** A powerful motor is used to drive the drum to high spin speeds to extract water from your load. You will hear a sound associated with these higher spin speeds. This sound is normal and will vary slightly as the spin speed varies with load size and cycle selected.



CAUTION

Abnormal, on-going sounds may be an indication of a pending washer failure and should be investigated by a qualified technician. Refer to "Noise" section of Service Prevention Checklist in this manual.



Operating Your Washer



WARNING

To reduce the risk of fire, electric shock or injury to persons, read the Important Safety Instructions in this *Use & Care Guide* before operating your washer.



WARNING

RISK OF INJURY



DO NOT wash water resistant and water repellent clothing or other materials. Failure to follow these instructions may result in an abnormal vibrating and out-of-balance condition that could result in physical injury, property damage, and/or appliance damage.



CAUTION

ENTRAPMENT and TIP-OVER HAZARD

DO NOT leave the door open if there are small children or pets present. An open door could entice children to hang on the door or crawl inside the washer. If there are no small children present, you may leave the door ajar to prevent odor build up.

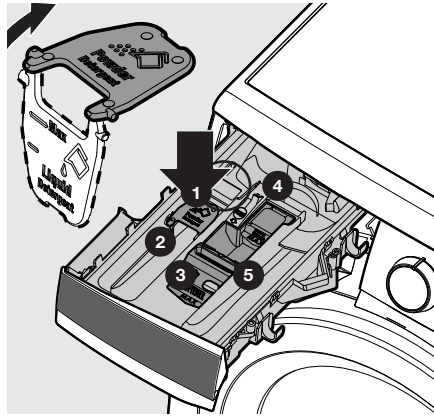
STEPS	TIPS	IMPORTANT
<p>1. Sort laundry into loads that can be washed together.</p> 	<ul style="list-style-type: none"> Sort by recommended cycle and water temperature. Separate white, light, and colorfast items from dark and non-colorfast items. Separate items that shed lint from items that attract lint. Casual, synthetic, knit, and corduroy items will pick up lint from towels, rugs, and bedspreads. Separate heavily soiled items from lightly soiled items. Separate lacy, sheer, loosely knit, or delicate items from durable items. 	<p>DO NOT machine wash items containing fiberglass. Small particles of fiberglass left in drum may transfer to fabrics in other loads and cause skin irritation and/or damage to fabrics.</p> <p>DO NOT wash water resistant and water repellent type clothing or other materials.</p>
<p>2. Prepare items for washing.</p> 	<ul style="list-style-type: none"> Empty pockets. Brush off lint and dirt. Shake out rugs and beach towels. Close zippers, fasten hooks, button buttons, and tie strings/sashes. Remove non-washable trims and ornaments. Place delicate and small items (bras, hosiery, etc.) in a mesh bag (not included). 	<p>Mend rips and tears to prevent further damage during washing.</p> <p>Turn knit items inside out to prevent pilling.</p>
<p>3. Pretreat stains and heavy soil.</p>	<p>See stain treatment function in <i>Cycle Options</i> for your particular model or <i>Stain Removal Guide</i> for more information.</p>	
<p>4. Add laundry load to wash tub.</p>	<ul style="list-style-type: none"> Combine large and small items in a load. Load large items first. Large items should not be more than half the total wash load. Washing single items is inefficient and may cause an out-of-balance load. Add 1 or 2 similar items to help balance load. The washer can be fully loaded, but the items should not be tightly packed. The door should close easily. 	<p>DO NOT overload the washer.</p> <p>DO NOT WASH: Water resistant and water repellent clothing or other materials.</p> <p>Make sure that NO items stay between the seal and the door. There is a risk of water leakage or damage to the load.</p>
<p>5. Add laundry detergent and wash products to dispenser.</p>	<ul style="list-style-type: none"> Detergent, liquid chlorine bleach and liquid fabric softener will be dispensed at the proper times in the cycle. Water conditioners, detergent boosters and enzyme products may be added with detergent. See <i>Adding Laundry Products</i> for detailed information on the use of various wash products (detergent, bleach, stain treatment, fabric softener, etc). See <i>Adding Laundry Products</i> for detailed information on the use of the product dispensers. 	<p>Use ONLY low-sudsing, high efficiency detergent to prevent oversudsing.</p> <p>Follow manufacturer's instructions and recommendations when using wash products.</p> <p>Open and close the dispenser drawer slowly. Closing the drawer too quickly could result in early dispensing of the bleach or fabric softener.</p>

8 Operating Instructions

STEPS	TIPS	IMPORTANT
<ul style="list-style-type: none"> • Press the power button and select the appropriate cycle and settings for each load. Add cycle options as desired. 	<ul style="list-style-type: none"> • See <i>Cycle Selection</i>, <i>Cycle Settings</i>, and <i>Cycle Options</i> for detailed descriptions of cycle controls. • See <i>Settings Chart</i> to determine which settings are available for each cycle. • To provide the best care, not every setting or option is available with every cycle. If attempting to select an unavailable setting or option for any given cycle, a beep will be heard and the corresponding setting/option LED will not light. See <i>Settings Chart</i> for information on available options for each cycle by model. 	<p>Follow fabric care label instructions on items to be washed.</p>
<p>6. Close the washer door and start the washing cycle.</p>	<ul style="list-style-type: none"> • Close the door and press start/pause. The washer will not operate with the door open. If start/pause is pressed while the washer door is open, a beep will be heard and "AL" and "40" will be displayed, signaling that the cycle cannot be started until the door is closed. Close the washer door, turn the knob to the reset position (12 o'clock position), then re-select cycle, settings, and options and press start/pause to begin cycle. • To add a forgotten item to the wash drum, press the start/pause button. Once the wash drum has stopped moving, the door will unlock, and the LED above the start/pause button will blink. The estimated remaining cycle time will be displayed. Add the item, close the door and press start/pause to resume the cycle. • To change the cycle and/or settings once the cycle has begun (after the start button has been pressed), either rotate the knob to the reset position (12 o'clock position) OR press the power button to turn off the unit and cancel the cycle. Press the power button again to turn on the unit and select the new cycle and/or settings, and press start to begin. Changing a cycle selection without canceling the current cycle WILL NOT change the cycle. Cycle settings and options CANNOT be changed unless the current cycle is cancelled. <p>Note: there is an exception if the start button has been pressed to begin a cycle and the delay start function is activated and counting down. In this case, during the delay start countdown, the cycle can be paused and cycle settings and/or options can be changed. Then press start again to resume the delay start countdown.</p> <ul style="list-style-type: none"> • To cancel a cycle, turn the knob to the reset position OR press the power button to turn off the unit. • A signal will sound at the end of the cycle if the mute sound option is not activated. 	<p>DO NOT force door open. As a safety measure, the door will automatically lock during the entire wash cycle and the LED above the start/pause button will be continuously lit. Pause or cancel the cycle to unlock the door.</p> <p>If the cycle is interrupted during spin, the door lock will not release until the drum has stopped spinning.</p> <p>If the water level is above the bottom of the door opening/flexible door gasket, the lock will not release.</p>
<p>7. Remove items from washer when cycle has ended.</p>	<ul style="list-style-type: none"> • Remove items when the cycle ends and place in dryer, line dry or dry flat as directed on the fabric care label. 	<p>Excess wrinkling, color transfer or odors may develop in items left in the washer after the cycle has ended.</p>

Adding Laundry Products

1. Detergent Flap
2. Main Wash
3. Fabric Softener
4. Prewash
5. Bleach



Detergent, liquid chlorine bleach and liquid fabric softener will be dispensed at the proper times in the cycle.

▶ IMPORTANT

Use of multi-product (detergent plus softener) sheets or color-absorbing sheets NOT recommended. They could disable your machine and result in unwarranted repair costs.


▶ IMPORTANT

Open and close the dispenser drawer slowly. Closing the drawer too quickly could result in early dispensing of the bleach or fabric softener.

Main wash

Use the cap or scoop provided by the detergent manufacturer to measure the amount recommended. Detergent dosage may need to be adjusted for water temperature, water hardness, load size and soil level.

For best results

Use a low-sudsing, high efficiency detergent to prevent oversudsing in front load washers. Look for this symbol on the detergent label: 

▶ IMPORTANT

Do not mix liquids and powders.

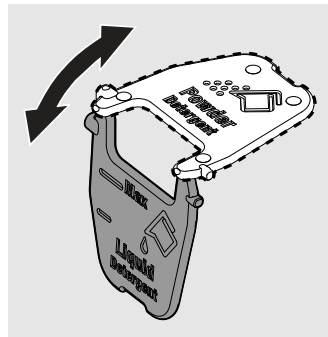
Main wash - Liquid Detergent

- Ensure the flap is in the downward position.
- Add the recommended amount of liquid detergent to the "Main Wash" compartment.

NOTE

From time to time you may see water in the main wash (liquid) chamber. This is part of the normal operation of the washer.

Place the main wash detergent flap in the downward position for liquid detergent.

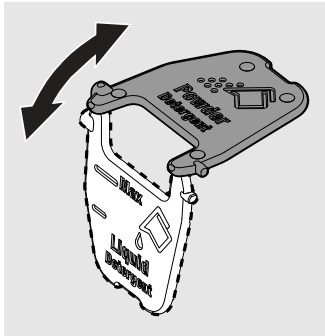


10 Operating Instructions

Main wash - Powder Detergent

- Ensure the flap is in the upward position.
- Add the recommended amount of high-efficiency powder detergent to the “Main Wash” detergent chamber.

Place the main wash detergent flap in the upward position for powder detergent.



Main wash - Other Wash Products

Color safe bleach, water conditioner, detergent booster and enzyme products may also be added to the main wash chamber with the detergent.

IMPORTANT

Do not mix liquids and powders.

- Only put liquid products in the main wash chamber with the flap down OR powder products in the main wash chamber with the flap up.
- Never use both liquid and powder products at the same time.

Detergent Packs

Add detergent pack directly to the empty drum **BEFORE** placing laundry into the unit.

IMPORTANT

Do not place detergent packs into the detergent drawer. The gel coating may cause the detergent drawer to become clogged.

CAUTION

Keep detergent packs away from children.

Prewash

For heavily soiled or stained loads, select the **prewash** option. Add the recommended amount of detergent to the prewash detergent compartment.

Liquid Chlorine Bleach


If desired, add liquid chlorine bleach to the Bleach chamber.

- DO NOT fill above the maximum fill line.
- Add color-safe bleach with the detergent.

IMPORTANT

To prevent fabric damage, do not overfill the Bleach chamber or pour liquid chlorine bleach directly onto the load.

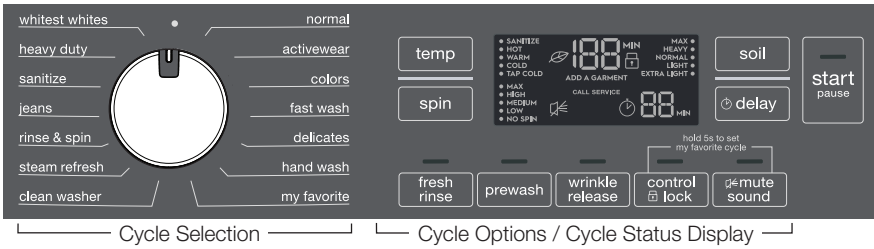
Liquid Fabric Softener

If desired, pour the recommended amount of liquid fabric softener into the chamber marked with this symbol .

- Fill to the MAX line for large loads.
- DO NOT fill above the maximum fill line.
- Use of a fabric softener-dispensing ball is not recommended in tumble action washers.

NOTE

To prevent staining, DO NOT overfill the fabric softener chamber or pour liquid fabric softener directly on the wash load.



Not all cycles, options, or features listed are available on every model. Console shown above for reference only. Your model may differ.

Cycle Selection

Press the **power** button to turn on the unit. Turn the cycle selector to the desired cycle. The estimated cycle time, as well as the default settings for water temperatures, spin speed, and soil level for each cycle will be indicated for the cycle selected. In most cases cycle settings and options can be changed. See “Cycle Settings”, “Cycle Options”, and “Settings Chart” for more details.

NOTE

If the cycle selector indicator is pointed at the 12 o'clock position, then “—” will be displayed. Turning the cycle selector to any other position will result in the default cycle settings for the indicated wash program being illuminated.

NOTE

To change the cycle and/or settings once the cycle has begun (after the start button has been pressed), either rotate the knob to the reset position (12 o'clock position) OR press the **power** button to turn off the unit and cancel the cycle. Press the **power** button again to turn on the unit and select the new cycle and/or settings, and press **start** to begin. Changing a cycle selection without canceling the current cycle WILL NOT change the cycle.



whitest whites

Use for white fabrics and lightly colored clothing. Refer to fabric care label for use of liquid chlorine bleach. Hot water is recommended to ensure optimal bleach activation. For peak rinsing performance and to avoid chlorine residues on your laundry add **fresh rinse** to this cycle.

heavy duty

Use this cycle for heavily soiled, durable garments - ex. towels, sports gear, or fabric tote bags. For best soil and stain removal, use the hottest water safe for the fabrics being washed.

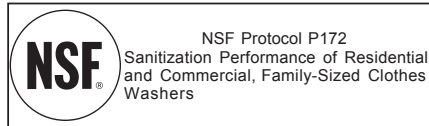
sanitize

Select to clean and sanitize heavily soiled, colorfast fabrics including towels, bedding, and children’s clothing.

The **sanitize** cycle will kill 99.9% of bacteria with no carryover of bacteria between loads. No bleach or harsh chemicals are needed, but higher temperatures are required. Please check fabric care labels to prevent damage.

NOTE

Only sanitizing cycles have been designed to meet the requirements of NSF P172 protocol for sanitization efficacy.



The wash water is heated by an internal boost heater as the load tumbles. Cold water is added to cool down the load prior to drain and spin.

NOTE

If the voltage at your outlet is under 110 V the internal heater may not adequately heat the wash water. If the cycle is interrupted while the water is heating, the final temperature of the wash water may be lower and sanitization may be reduced.

jeans

Select this cycle for washing an entire load of lightly to normally soiled denim jeans or similarly-colored cotton khakis.

12 Controls and Settings

rinse & spin

Select for loads that need a cold water rinse or to add fabric softener that may have been omitted in a regular cycle. Add the fabric softener to the dispenser chamber. Select the spin speed appropriate for the load.



NOTE

Steam refresh is not a washing cycle. It is intended for clean, dry clothes. Take care not to load items with stains.



NOTE

- Steam may not necessarily be visible inside drum during the steam cycles.
- Steam may not be present during entire cycle.



IMPORTANT

If washer is paused during the steam portion of a steam cycle, the door will remain locked due to higher temperature in drum. **DO NOT** force open - it will unlock upon cooling.

steam refresh

Refresh a small load of dry clothes with the perfect amount of steam. Steam alone will infuse into the dry load as it tumbles to refresh fabrics, remove odors, and release wrinkles, reducing ironing. Remove load, hang or iron as necessary.



NOTE

You may deselect **fresh rinse** if you wish to perform a spin only cycle or select **no spin** if you want to perform a drain only cycle.

clean washer

To clean and freshen the washer, perform the clean washer cycle. This maintenance cycle uses hot water and two cold rinses to remove residue that may cause odor. See "Inside Routine Cleaning (Preventive)" for detailed information about the clean washer cycle.

normal

Select for cotton, linen, towels, shirts, sheets, denims and mixed loads.

It is recommended that you set your water heater to 120°F (49°C) or higher to ensure proper performance during this cycle. If the setting is lower or the load is extra large, the cycle time will be extended by 30 mins or more.

activewear

Use this cycle for lightweight, synthetic apparel.

colors

Use this cycle for lightly soiled, dark, or highly dyed fabrics which can may be susceptible to dye loss.

fast wash

Quickly wash a small, lightly soiled load in 22 minutes.

delicates

Select for lightly soiled knits and delicates which require gentle washing.

hand wash

Use this cycle for fine garments which have a "hand wash only" label.

my favorite

The my favorite cycle allows you to customize any existing wash program and save it as a unique cycle for future use. To do so, turn the cycle selector to the desired wash program. For example, if you would like your my favorite cycle to be based on the normal cycle, turn the cycle selector to normal. Next, modify any cycle settings that you would like to change (water temperature, spin speed, and soil level), but note that not all cycle settings can be modified for every cycle. Select or deselect any options that you would like saved to your my favorite cycle. Finally, hold the control lock and mute sound buttons simultaneously for 5 seconds to set the cycle. Now your unique my favorite cycle has been programmed, and you can retrieve your unique wash program by turning the cycle selector to the my favorite cycle position. You will need to go through this cycle programming exercise prior to using the my favorite cycle for the first time. You may change your unique my favorite cycle as many times as you like.

Cycle Settings



Appropriate wash temperature, spin speeds, soil level and options will be displayed for each cycle. The settings can be changed before the cycle is started. Make modifications according to fiber content, colorfastness and soil level. If changes are attempted after the cycle starts a signal will beep.



NOTE

To change the settings once the cycle has begun (after the start button has been pressed), either rotate the knob to the reset position (12 o'clock position) OR press the power button to turn off the unit and cancel the cycle. Press the power button again to turn on the unit and select the new cycle and/or settings, and press start to begin. Cycle settings CANNOT be changed without canceling the current cycle.

Wash Water Temperature

To change the preset water temperature, press the **temp** icon to scroll to the desired setting. A cold water rinse saves energy and reduces wrinkling.

To protect your fabrics, not all temperatures are available with every cycle. The indicator will not light if the setting is not available with that cycle.

Wash water temperatures are automatically regulated to maximize detergent effectiveness and improve washing performance. The water heater setting and its distance from the washer, water usage in other parts of the home, and seasonally low ground water temperature in some geographic areas can affect water temperature.

sanitize

This setting sanitizes heavily soiled colorfast fabrics such as towels, bedding, and children's clothing by killing 99.9% of bacteria using wash water heated with a boost heater. Cold water is used to cool and rinse the load.



NOTE

Only sanitizing cycles have been designed to meet the requirements of NSF P172 protocol for sanitization efficacy.



NSF Protocol P172
Sanitization Performance of Residential
and Commercial, Family-Sized Clothes
Washers

hot

Use this setting for heavily soiled white or colorfast cottons and blends.


warm

Use this setting for normally soiled white or colorfast cottons or blends.

cold

Some warm water will automatically blend with cold tap supply to achieve a precise **cold**. Use this setting for lightly soiled non-colorfast items, knits, delicates, and hand washables.

tap cold

Wash and rinse temperatures are equivalent to temperature of cold tap supply. Use this selection for fabrics and colors that are prone to dye transfer. For use with cold water  detergents.

Spin Speed

Max, high, medium and **low** spin speeds are available for each cycle. The spin speed and/or duration of final spin vary from model to model and cycle to cycle.

Increasing the spin speed will extract more water, decrease drying time and conserve energy. Decreasing the spin speed will reduce wrinkling.

Select **low** spin speed to gently spin items that should be line dried.

Use **no spin** to omit all intermediate spinning phases and the final spin at the end of the cycle. The load will be very wet. Remove items from the wash drum to drip dry or select a rinse & spin cycle to remove excess water at a more convenient time.

Soil Level

Adjust the wash time based on the soil level of each load. **max, heavy, normal, light**, and **extra light** soil levels are available.

14 Controls and Settings

Cycle Options

To add options, press the desired option button and an indicator light will illuminate. To delete options, press the option button again and the indicator light will turn off.

To protect your fabrics, not all options are available with every cycle. If an option is not appropriate for the cycle, the indicator will not light. Occasionally, a setting and option in the same cycle will conflict with each other. When this happens, incompatible selections will be excluded.

fresh rinse

Use this option when additional rinsing is desired to remove excess dirt and detergent.

It is recommended for heavily soiled loads or if household members have sensitive skin.

prewash

Select this option to add a short initial wash period to a cycle. Heavily soiled and stained loads will prewash for approximately 15-20 minutes. The water will drain and the load will automatically advance to the regular wash cycle.

wrinkle release

After the final spin, the washer will perform a "dry" agitation to loosen the garments from the side of the drum.



NOTE



To change the options once the cycle has begun (after the start button has been pressed), either rotate the knob to the reset position (12 o'clock position) OR press the power button to turn off the unit and cancel the cycle. Press the power button again to turn on the unit and select the new cycle and/or settings, and press start to begin. Cycle settings CANNOT be changed without canceling the current cycle.



1. Cycle Countdown	2. Delay Start Timer
--------------------	----------------------

Other Features

Control Lock

To avoid having someone accidentally start or stop the washer, press the **control lock** button . To unlock the controls, press the **control lock** button again .

Mute Sound

A chime will sound at the end of the cycle when this option is not activated. The signal can be turned on or off by pressing the **mute sound** button. Please note that activating the mute sound option will not mute all sounds emitted by the console. This option only silences the end of cycle tone.

Delay Start

Press **delay** to select a wash time convenient to your schedule or during off peak energy hours. The delay time selected will be displayed and begin counting down when you select **start**. A cycle can be delayed up to a max of 6 hours.

Status Display/Timer

The estimated total cycle time will be displayed when the cycle is selected. The time may increase if water pressure is low, oversudsing occurs or the load becomes unbalanced. The estimated remaining cycle time is displayed throughout the cycle.

Add a Garment

The text **ADD A GARMENT** will be illuminated through the water filling phase of a wash cycle. While **ADD A GARMENT** is lit, the cycle can be paused, and once the door is unlocked, any additional garments can be added to the load. When **ADD A GARMENT** is no longer

illuminated, no additional garments should be added to the wash load.

NOTE

If the temperature and water level are too high, the door will remain locked.

Eco Indicator

The **eco symbol** will light up on the LED display to indicate that the selected combination of temperature, spin speed and options is eco friendly.

Pump Cleanout/Manual Drain

In the event the washer will not drain under its own power due to a power outage or clogged drain pump you can drain the water left in the tub manually. See the “Pump Filter Cleaning” in “Care and Cleaning” section.

Door Lock Indication

While the cycle is in progress, the LED above the **start/pause** button will be continuously lit, indicating that the door is locked. When the LED is lit continuously, do not force open the door. Wait until the LED above the **start/pause** button is blinking before attempting to open the door.

16 Controls and Settings

Settings Chart

These Temperatures, Spin Speeds, Soil Levels, and Options are available with the following cycles:

normal	activewear	colors	fast wash	delicates	hand wash	my favorite	clean washer	steam refresh	rinse & spin	jeans	sanitize	heavy duty	whitest whites
--------	------------	--------	-----------	-----------	-----------	-------------	--------------	---------------	--------------	-------	----------	------------	----------------

temperature

sanitize							
hot	✓						
warm	✓	✓	✓	✓	✓	✓	
cold	✓	✓	✓	✓	✓		
tap cold	✓	✓	✓		✓		

spin speed

max	✓		✓	✓			
high	✓	✓	✓				
medium	✓	✓	✓		✓		
low	✓	✓	✓		✓	✓	
no spin					✓		

soil level

max	✓		✓				
heavy	✓		✓				
medium/normal	✓	✓	✓		✓	✓	
light	✓	✓	✓	✓	✓		
extra light	✓	✓	✓	✓	✓		

options

fresh rinse	✓	✓	✓		✓		
prewash	✓						
wrinkle release	✓	✓	✓		✓		
control lock	✓	✓	✓	✓	✓	✓	✓
mute sound	✓	✓	✓	✓	✓	✓	✓
delay	✓	✓	✓	✓	✓	✓	✓

NO OPTIONS AVAILABLE WITH THIS CYCLE. DO NOT LOAD ANY ITEMS IN DRUM DURING CLEAN WASHER CYCLE.

				✓			
✓						✓	✓
						✓	✓
		✓				✓	✓
	✓					✓	✓

	✓		✓	✓	✓
	✓		✓	✓	✓
	✓	✓			✓
	✓				
✓	✓				

			✓	✓	
			✓	✓	
		✓	✓	✓	✓
					✓

	✓		✓	✓	✓
				✓	✓
		✓	✓	✓	✓
✓	✓	✓	✓	✓	✓
✓	✓	✓	✓	✓	✓

✓ = Available selections. ◻ = Cycle defaults. ◼ = Non-modifiable presets.

Safe Stain Removal Procedures

To reduce the risk of fire or serious injury to persons or property, comply with the basic warnings listed below:

- Read and comply with all instructions on stain removal products.
- Keep stain removal products in their original labeled containers and out of children's reach.
- Thoroughly wash any utensils used.
- Do not combine stain removal products, especially ammonia and chlorine bleach. Dangerous fumes can result.
- Never wash items which have been previously cleaned in, washed in, soaked in or spotted with gasoline, dry cleaning solvents or other flammable or explosive substances because they give off vapors that could ignite or explode.
- Never use highly flammable solvents, such as gasoline, inside the home. Vapors can explode on contact with flames or sparks.

For Successful Stain Removal:

- Remove stains promptly.
- Determine the kind of stain, then follow the recommended treatment in the stain removal chart on the next page.
- To pretreat stains, use a prewash product, liquid detergent, or a paste made from powder detergent and water.
- Use cold water on unknown stains as hot water can set stains.
- Consult care label instructions for treatments to avoid on specific fabrics.
- Check for colorfastness by testing stain remover products on an inside seam.
- Rinse and wash items after stain removal.



WARNING

HARMFUL VAPOR HAZARD

Do not use or mix liquid chlorine bleach with other household chemicals such as toilet cleaners, rust removers, acid or products containing ammonia. These mixtures can produce dangerous fumes which can cause serious injury or death.



For best results

Follow the fabric care label instructions on items to be washed.



CAUTION

CORROSION HAZARD

Do not spray stain remover on garments near the appliance as it is corrosive to the plastic parts.



18 Stain Removal Guide

Stain Removal Suggestions

STAIN	TREATMENT
Adhesive tape, gum, rubber cement	Apply ice. Scrape off excess. Place stain down on paper towels. Saturate with prewash stain remover or nonflammable dry cleaning fluid.
Baby formula, dairy products, egg	Use product containing enzymes to pretreat or soak stains. Soak for 30 minutes or more. Wash.
Beverages (coffee, tea, soda, juice, alcoholic beverages)	Pretreat stain. Wash using cold water and bleach safe for fabric.
Blood	Rinse with cold water. Rub with bar soap. Or, pretreat or soak with product containing enzymes. Wash using bleach safe for fabric.
Candle wax, crayon	Scrape off surface wax. Place stain face down between paper towels. Press with warm iron until wax is absorbed. Replace paper towels frequently. Treat remaining stain with prewash stain remover or nonflammable dry cleaning fluid. Hand wash to remove solvent. Wash using bleach safe for fabric.
Chocolate	Pretreat or soak in warm water using product containing enzymes. Wash using bleach safe for fabric.
Collar or cuff soil, cosmetics	Pretreat with prewash stain remover or rub with bar soap.
Dye transfer on white fabric	Use packaged color remover. Wash using bleach safe for fabric.
Grass	Pretreat or soak in warm water using product containing enzymes. Wash using bleach safe for fabric.
Grease, oil, tar (butter, fats, salad dressing, cooking oils, car grease, motor oils)	Scrape residue from fabric. Pretreat. Wash using hottest water safe for fabric. For heavy stains and tar, apply nonflammable dry cleaning fluid to back of stain. Replace towels under stain frequently. Rinse thoroughly. Wash using hottest water safe for fabric.
Ink	Some inks may be impossible to remove. Washing may set some inks. Use prewash stain remover, denatured alcohol or nonflammable dry cleaning fluid.
Mildew, scorch	Wash with chlorine bleach if safe for fabric or soak in oxygen bleach and hot water before washing. Badly mildewed fabrics may be permanently damaged.
Mud	Brush off dry mud. Pretreat or soak with product containing enzymes.
Mustard, tomato	Pretreat with prewash stain remover. Wash using bleach safe for fabric.
Nail polish	May be impossible to remove. Place stain face down on paper towels. Apply nail polish remover to back of stain. Repeat, replacing paper towels frequently. DO NOT use on acetate fabrics.
Paint, varnish	WATER BASED: Rinse fabric in cool water while stain is wet. Wash. Once paint is dry, it can't be removed. OIL BASED AND VARNISH: Use solvent recommended on label. Rinse thoroughly before washing.
Perspiration	Use prewash stain remover or rub with bar soap. Rinse. Wash using non chlorine bleach in hottest water safe for fabric.
Rust, brown or yellow discoloration	Use rust remover safe for fabric. DO NOT use chlorine bleach because it may intensify discoloration.
Shoe polish	LIQUID: Pretreat with a paste of powder detergent and water. PASTE: Scrape residue from fabric. Pretreat with prewash stain remover or nonflammable dry cleaning fluid. Rinse. Rub detergent into dampened area. Wash using bleach safe for fabric.
Tomato	Pretreat with prewash stain remover. Wash using bleach safe for fabric.
Urine, vomit, mucus, feces	Pretreat or soak in product containing enzymes. Wash using bleach safe for fabric.
Wine	Pretreat or soak in cold water. Wash in hottest water and bleach safe for fabric.

Inside Routine Cleaning (Preventive)

To help prevent odors, mold or mildew, leave the door open for a few hours after use or whenever the washer is not in use.



CAUTION

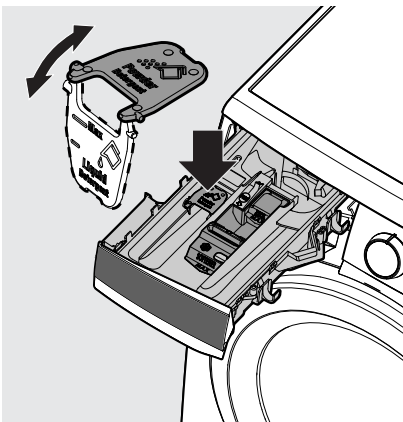
ENTRAPMENT and TIP-OVER HAZARD

Do not leave the door open if there are small children or pets present. An open door could entice children to hang on the door or crawl inside the washer. If there are no small children present, you may leave the door ajar to prevent odor build up.

To Refresh Or Clean Inside Of Washer

To clean and freshen the washer, perform the **clean washer** cycle. For best results use the **clean washer** cycle once a month.

1. Press the **power** button to wake up the unit.
2. Turn the cycle selector to **clean washer**.
3. Place the main wash detergent flap in the upper position.



4. REMOVE ALL ITEMS FROM WASH DRUM.



IMPORTANT

Items left in washer while performing the **clean washer** cycle will cause a severe out-of-balance situation that could damage the washing machine.

5. Fill the main wash detergent chamber with one (1) cup of liquid chlorine bleach **OR** one (1) pouch of TIDE® WASHING MACHINE CLEANER. **DO NOT** use both.
6. Press **start/pause** to begin.



For best results

Immediately follow up with a **spin** cycle. Select **fresh rinse** on **max spin** speed with no detergent or bleach to help clear any residual bleach left after the clean washer cycle.



WARNING

HARMFUL VAPOR HAZARD

Do not use or mix liquid chlorine bleach with other household chemicals such as toilet cleaners, rust removers, acid or products containing ammonia. These mixtures can produce dangerous fumes which can cause serious injury or death.



Performing Manual Drain

In the event the washer will not drain under its own power due to a power outage or clogged drain pump you can drain the water left in the drum manually.

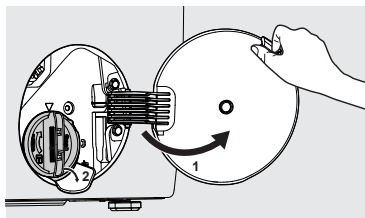


CAUTION

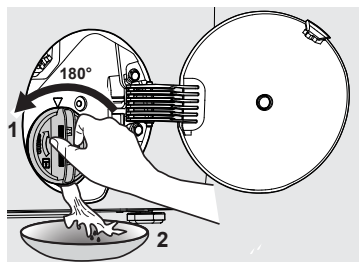
BURN HAZARD

Do not attempt to manually drain the drum if it is full of hot water. Allow water to cool before proceeding with manual draining.

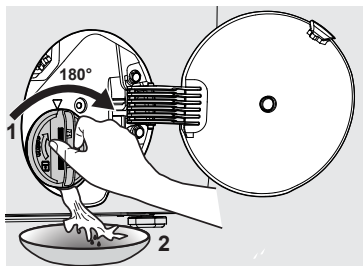
1. Open pump cleanout door and lower the flap in front of the drain pump filter.



2. Place a catch pan underneath the drain pump filter to collect water as it drains.
3. **Without removing the pump filter**, rotate the filter 180° counterclockwise to allow the water to flow out into the catch pan.



It may be necessary to close the filter and drain the catch pan as it fills.



4. Repeat the process until all the water has been drained.

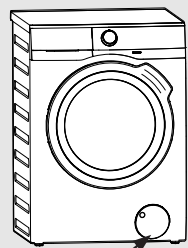


NOTE

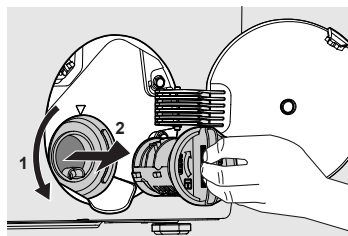
Always keep a rag nearby to clean any water spills.

Pump Filter Cleaning

With the wash tub and drain hose drained of all water and the drain spout snapped in place, follow these directions to remove, clean, and reinsert the pump filter.



pump filter cleanout



1. Open pump cleanout door.
2. Lower flap in front of drain pump.
3. "Unscrew" the filter and pull it out.
4. Dump the filter and inspect the opening for any loose objects.



IMPORTANT

Check to make sure O-ring is in place before reinserting pump filter. Take care to not cross threads when turning pump filter during reinsertion.

5. Rinse the filter completely before putting it back in place.
6. "Screw" filter back in place until it stops. **DO NOT** overtighten.
7. Reinstall pump cleanout door if removed earlier.



NOTE

You may have to add about 2 liters of clean water through the main wash detergent compartment to reprime the drain pump.

Other Inside Routine Cleaning (Preventive)

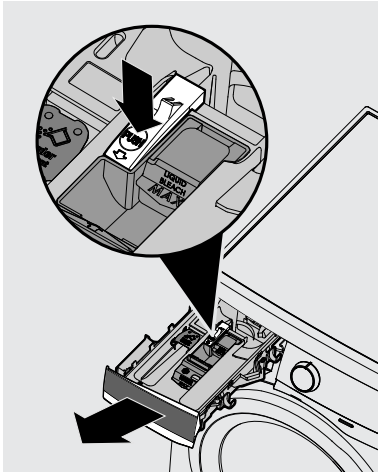
Cleaning Dispenser Drawer Area



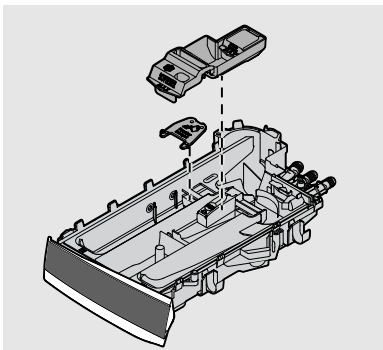
NOTE

Detergent and fabric softener may build up in the dispenser drawer. Residue should be removed once or twice a month.

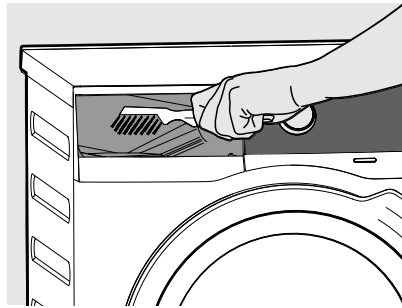
1. Remove the drawer by pulling the drawer out until it stops.
2. Reach back into the back of the drawer cavity and press down firmly on the lock tab. Pull out the drawer.



3. Remove the inserts from the bleach and fabric softener compartments.



4. Rinse the drawer and inserts with a combination of $\frac{3}{4}$ cup liquid chlorine bleach and 1 gallon hot tap water to remove traces of accumulated powders and liquids. Large amounts of fabric softener residue may indicate improper dilution or more frequent cleaning is required. Rinse well with tap water.
5. Clean the drawer opening, using a small brush to clean the recess. Remove all residue from the upper and lower parts of the recess.



6. Replace the inserts by pressing in place until you hear a slight click. Return the dispenser drawer.

Daily Preventive Maintenance

- Remove items from the washer as soon as the cycle ends. Excess wrinkling, color transfer, and odors may develop in items left in the washer.
- If there are no small children or pets present, you may leave the door ajar when the washer is not in use.
- Leave the dispenser drawer open slightly at the end of the wash day.
- Dry around the washer door opening, flexible gasket, and door glass. These areas should always be clean to ensure a water tight seal.
- When extremely soiled items have been washed, a dirty residue may remain on the drum. Remove this by wiping the drum with a nonabrasive household cleanser. Rinse thoroughly with water.
- Periodically, wipe dry the folds in the bottom of the flexible gasket to remove lint and other debris.

22 Care and Cleaning

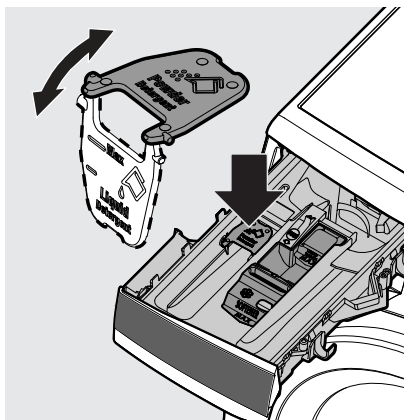
Inside Cleaning (Aggressive)

In cases where the **clean washer** cycle along with care and cleaning of rubber gasket folds isn't done, and severe odor, mold, mildew, or residue buildup have developed, follow the below cleaning procedure to help alleviate the problem.

Cleaning Procedure - Washer Drum

Ensure the wash drum is empty (or no clothes load).

1. Open the detergent drawer and place the main wash detergent flap in the upper position.



2. Pour eight (8) cups of bleach into the main wash detergent compartment.
3. Select the **clean washer** cycle via the cycle selector.
4. Press **start/pause** to begin.

Upon cycle completion inspect the interior of the washer to see if the odor/residue has been eliminated. If any additional cleaning is required, repeat the above procedure. This may take several cycles depending on the severity of the odor/residue. You may observe some remaining discoloration due to the long term effects of this residue.

For especially contaminated areas visible inside the drum (including the front rubber seal), these areas might be more effectively cleaned by spraying a Bleach Cleaner on a scrub brush, soft sponge, or towel and scrubbing.



IMPORTANT

Always wear rubber or latex gloves and protect floor and clothing from damage.

If odor is still left after bleach cycle(s) and bleach cleaner, open the detergent drawer and pour one (1) pouch of TIDE® WASHING MACHINE CLEANER in main wash compartment. Select **clean washer** cycle and start the washer.



For best results

Immediately follow up with a **spin** cycle. Select **fresh rinse** on **max spin** speed with no detergent or bleach to help clear any residual bleach left after the **clean washer** cycle.



IMPORTANT

See *Inside Routine Cleaning (Preventive)* for future cleaning maintenance which is necessary to avoid repeating issues.



WARNING

HARMFUL VAPOR HAZARD

Do not use or mix liquid chlorine bleach with other household chemicals such as toilet cleaners, rust removers, acid or products containing ammonia. These mixtures can produce dangerous fumes which can cause serious injury or death.



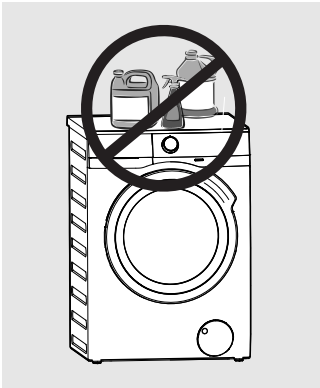
Outside Routine Cleaning

- When washing is completed, wipe top and sides of washer with a damp cloth. Turn water faucets off to prevent pressure build-up in the hoses.
- Clean the cabinet with mild soap and water. Never use harsh, gritty or abrasive cleansers.
- If the cabinet becomes stained, clean with diluted chlorine bleach (1 part bleach to 8 parts water). Rinse several times with clear water.
- Remove glue residue from tape or labels with a mixture of warm water and mild detergent. Or, touch residue with the sticky side of tape.
- When cleaning chrome parts use a window cleaner with ammonia or mild soap and water.
- Before moving the washer, place a strip of cardboard or thin fiberboard under the front leveling legs to prevent damage to the floor.



IMPORTANT

Do not store or place laundry products on top of washer at any time. They can damage the finish or controls.



Winterizing Instructions



IMPORTANT

If the washer is stored in an area where freezing can occur or moved in freezing temperatures, follow these winterizing instructions to prevent damage to the washer:

1. Turn off water supply faucets.
2. Disconnect hoses from water supply and drain water from hoses.
3. Plug electrical cord into a properly grounded electrical outlet.
4. Perform manual drain to remove all water from the washer. Follow manual draining instructions in the Care and Cleaning section.
5. Remove dispenser drawer. Drain any water in compartments and dry compartments. Replace drawer.
6. Store washer in an upright position.

Follow **WINTERIZING INSTRUCTIONS** for cold weather storage and care.



24 Solutions to Common Problems

Common Washing Inquiries

Many washing problems involve poor soil and stain removal, residues of lint and scum, and fabric damage. For satisfactory washing results, follow these suggestions provided by The Soap and Detergent Association.

PROBLEM	POSSIBLE CAUSES	SOLUTIONS	PREVENTIVE MEASURES
Blue stains	<ul style="list-style-type: none"> • Undiluted liquid detergent or fabric softener dispensed directly onto fabric. 	<ul style="list-style-type: none"> • If caused by detergent, mix 1 cup (240 ml) white vinegar with 1 qt (.95 L) water in plastic container. Soak 1 hour. Rinse. • If caused by fabric softener, rub stains with bar soap. Wash. 	<ul style="list-style-type: none"> • Avoid overfilling detergent and fabric softener compartments of dispenser.
Discoloration, graying	<ul style="list-style-type: none"> • Not enough detergent. • Wash water temperature too low. • Incorrect sorting. 	<ul style="list-style-type: none"> • Rewash with correct amount of detergent and hottest water safe for fabric. • Add bleach safe for fabric. 	<ul style="list-style-type: none"> • Sort items by soil level and color. • Use correct amount of detergent, hottest water and bleach safe for fabric.
Greasy, oily stains	<ul style="list-style-type: none"> • Not enough detergent. • Undiluted liquid fabric softener poured directly on fabric. 	<ul style="list-style-type: none"> • Treat with prewash stain remover or liquid detergent. • Increase detergent and water temperature. Rewash. • Rub fabric softener stains with bar soap. 	<ul style="list-style-type: none"> • Use correct amount of detergent and hottest water safe for fabric. • DO NOT pour liquid fabric softener directly on fabric. See <i>Operating Your Washer</i>.
Holes, tears, or snags	<ul style="list-style-type: none"> • Incorrect use of chlorine bleach. • Unfastened zippers, hooks, buckles. • Rips, tears and broken threads. • Overloading washer. • Degradation of fabric. 	<ul style="list-style-type: none"> • May be irreversible if rips, tears and seams cannot be mended. 	<ul style="list-style-type: none"> • Never pour chlorine bleach directly on fabric. • Check condition of items before washing. See <i>Operating Your Washer</i>.
Lint	<ul style="list-style-type: none"> • Incorrect sorting. • Tissues left in pocket. • Overloading washer. • Not enough detergent. • Undissolved detergent has left a residue resembling lint. • Static cling is attracting lint. • Load washed too long. 	<ul style="list-style-type: none"> • Reduce load size. Rewash using correct water temperature, water level, and amount of detergent. • Add nonprecipitating water conditioner to wash water to remove detergent residue. • Add liquid fabric softener to final rinse. • Dry load in dryer. • Remove lint with lint brush or roller. 	<ul style="list-style-type: none"> • See <i>Operating Your Washer</i>. • DO NOT overload washer. • Use correct temperature and amount of detergent, water and wash time.

PROBLEM	POSSIBLE CAUSES	SOLUTIONS	PREVENTIVE MEASURES
Pilling (Fibers ball up and cling to fabric)	<ul style="list-style-type: none"> • Pilling is normal with synthetic and permanent press fabrics. This is due to abrasion from normal wear. 	<ul style="list-style-type: none"> • Use a lint brush or shaver to remove pills. 	<ul style="list-style-type: none"> • Use fabric softener in washer to lubricate fibers. • When ironing, use spray starch or fabric finish on collars and cuffs. • Turn items inside out to reduce abrasion.
Residue or powder on dark items; Stiff, harsh fabrics	<ul style="list-style-type: none"> • Undissolved detergent. • Some granular detergents can combine with hard water minerals to form a residue. • Overloading washer. 	<ul style="list-style-type: none"> • Rewash load. 	<ul style="list-style-type: none"> • Increase water temperature using hottest water safe for fabric. • DO NOT overload washer. • Use liquid detergent or nonprecipitating water conditioner with powder detergent.
Wrinkling	<ul style="list-style-type: none"> • Overloading washer. • Incorrect wash cycle for wash load. 	<ul style="list-style-type: none"> • Reduce load size. • Rinse in cold water with liquid fabric softener using the casual or delicate cycle. 	<ul style="list-style-type: none"> • DO NOT overload washer. • Remove items from washer as soon as cycle is completed. • Use liquid fabric softener.
Yellow buildup of body soil on synthetic fabrics	<ul style="list-style-type: none"> • Agitation time too short. • Wash water temperature too low. • Not enough detergent. 	<ul style="list-style-type: none"> • Soak in detergent booster or product containing enzymes. • Wash in hottest water safe for fabric using casual cycle. • Increase detergent. • Add bleach safe for fabric or treat with color remover. 	<ul style="list-style-type: none"> • Select correct cycle. • Use correct amount of detergent. • Wash synthetics frequently using hot or warm water.
Yellow or brown rust stains	<ul style="list-style-type: none"> • Iron or manganese in water supply, water pipes, or water heater. 	<ul style="list-style-type: none"> • To restore discolored load of whites, use rust remover safe for fabric. • DO NOT use chlorine bleach to remove rust stains. It may intensify discoloration. 	<ul style="list-style-type: none"> • Use nonprecipitating water softener. • Before washing, run hot water for a few minutes to clear lines. • Drain water heater occasionally. • For an ongoing problem, install an iron filter in your water supply system.

26 Solutions to Common Problems


PROBLEM	POSSIBLE CAUSES	SOLUTIONS	PREVENTIVE MEASURES
Residue stains/buildup, mold or mildew stains in gasket	<ul style="list-style-type: none"> • Moisture in washer. • Use of non-HE detergent. • Overdosing detergent. • Overloading wash drum. • Leaving a wet load set in washer. • Cold water washes which may not completely dissolve and remove detergents. 	<ul style="list-style-type: none"> • Perform clean washer cycle. • Scrub gasket with Comet™ Spray Gel Mildew Stain Remover - use brush to remove stains. • Use only HE (high efficiency detergent) along with recommended dosage. • Remove wash load immediately upon cycle completion. 	<ul style="list-style-type: none"> • Run dehumidifier in laundry room. • Avoid overfilling detergent and fabric softener compartments of dispenser. • Dry the inside of washer and gasket after every run.
Residue stains/buildup, mold or mildew stains in dispenser drawer	<ul style="list-style-type: none"> • Moisture in the washer. • Use of non-HE detergent. • Overdosing detergent. 	<ul style="list-style-type: none"> • Remove and clean dispenser and inserts with combination of ¾ cup liquid chlorine bleach and one gallon hot water. Rinse well, and repeat if necessary. When cleaning, wear rubber or latex gloves and protect floor and clothing from bleach damage. • Use only HE (high efficiency detergent) along with recommended dosage. 	<ul style="list-style-type: none"> • Avoid overfilling detergent and fabric softener compartments of dispenser.
Water in fold of flexible gasket	<ul style="list-style-type: none"> • Result of washing and part of normal operation. 	<ul style="list-style-type: none"> • At the end of each wash, dry inside of gasket fold with clean dry towel all around gasket. 	
Odor	<ul style="list-style-type: none"> • Moisture in the washer. • Use of non-HE detergent. • Overdosing detergent. • Leaving a wet load remain in washer. • Cold water washes which may not completely dissolve and remove detergents. 	<ul style="list-style-type: none"> • Perform clean washer cycle. • At the end of each wash, dry inside of gasket fold with clean, dry towel all around gasket. • Use only HE (high efficiency detergent) along with recommended dosage. • Remove wash load immediately upon cycle completion. • Pour one cup liquid chlorine bleach in standpipe; let remain a day and flush with water. 	<ul style="list-style-type: none"> • Leave door and dispenser drawer open for a few hours after use or whenever washer is not in use.

Service Prevention Checklist

Before calling for service, review this list. It may save both time and expense. The list includes common occurrences that are not the result of defective workmanship or materials in this washer.

OCCURRENCE	POSSIBLE CAUSES	SOLUTION
Noise		
High pitch "jet engine" noise.	<ul style="list-style-type: none"> • A certain amount of motor whine is normal during the spin cycle. 	
Rattling and clanking.	<ul style="list-style-type: none"> • Foreign objects such as coins or safety pins may be in drum or pump. • Belt buckles and metal fasteners are hitting wash drum. 	<ul style="list-style-type: none"> • Stop washer and check drum. If noise continues after washer is restarted, objects may be in pump. Call your authorized servicer. • To prevent unnecessary noise and damage to drum, fasten fasteners and turn items inside out.
Thumping sound.	<ul style="list-style-type: none"> • Heavy wash loads may produce a thumping sound. This is usually normal. If sound continues, washer is probably out of balance. 	<ul style="list-style-type: none"> • Stop washer and redistribute wash load.
Vibrating noise.	<ul style="list-style-type: none"> • Washer is not resting firmly on floor. • Shipping bolts and foam block have not been removed during installation. • Wash load unevenly distributed in drum. 	<ul style="list-style-type: none"> • Move washer so it rests firmly on floor. Adjust leveling legs. See <i>Installation Instructions</i> for details. • See <i>Installation Instructions</i> for removing shipping bolts and foam block. • Stop washer and rearrange wash load.
Operating		
Washer does not start.	<ul style="list-style-type: none"> • Electrical power cord may not be plugged in or connection may be loose. • House fuse blown, circuit breaker tripped, or a power outage has occurred. • Water supply faucets are not turned on. • Motor is overheated. Washer motor will stop if it becomes overheated. • Washer door is not completely closed. 	<ul style="list-style-type: none"> • Make sure plug fits tightly in wall outlet. • Reset circuit breaker or replace fuse. Do not increase fuse capacity. If problem is a circuit overload, have it corrected by a qualified electrician. If problem is a power outage, call local electric company. • Turn on water supply faucets. • It will automatically restart after a cool down period of up to 30 minutes (if washer has not been manually turned off). • Close door completely.
Washer won't spin.	<ul style="list-style-type: none"> • Load is too small. 	<ul style="list-style-type: none"> • Add 1 or 2 similar items to help balance the load.
Residue left in drum.	<ul style="list-style-type: none"> • Heavily soiled items. 	<ul style="list-style-type: none"> • Wipe drum with a nonabrasive household cleanser, then rinse. Shake or brush excess dirt and sand from items before washing.

28 Solutions to Common Problems

OCCURRENCE	POSSIBLE CAUSES	SOLUTION
No or slow water fill.	<ul style="list-style-type: none"> • Water inlet hoses are not installed. • Water supply valves are not turned on. • Water supply is not adequate in installation. • Water is being used elsewhere in the house. • Water inlet hoses are kinked. • Water inlet screens are clogged. 	<ul style="list-style-type: none"> • Install Hot and Cold water hoses and turn on Hot and Cold water supply valves. • Turn on Hot and Cold water supply valves. • Test water pressure at another faucet in the house. Water pressure must be at least 30 psi (260 kPa). • Avoid running water elsewhere while washer is filling. • Straighten hoses. • Remove hoses and clean sediment from screens.
Washer experiencing drain problems during cycle.	<ul style="list-style-type: none"> • Drain pipe blocked. • Pump filter clogged. 	<ul style="list-style-type: none"> • Unclog drain pipe. • See <i>Care and Cleaning</i> for pump filter cleaning instructions.
"AL 40" is shown in the display.	<ul style="list-style-type: none"> • Washer door is open or not closed completely when the user presses "start". 	<ul style="list-style-type: none"> • Close door completely. • Press power to turn the unit off, then power again to turn the unit back on. This will clear the alarm from the display. Cycle settings must be reselected before pressing start again.
Washer not maintaining water level.	<ul style="list-style-type: none"> • Drain pipe position too low and water siphoning out drain hose. • If drain pipe height is adequate, error detected can only be resolved by calling service technician. 	<ul style="list-style-type: none"> • Drain pipe height must be minimum 24" above bottom of unit. Refer to <i>Installation Instructions</i> for correct drain pipe installation requirements and adjust accordingly. • Close all water supply faucets and call your authorized servicer.
Too many suds detected.	<ul style="list-style-type: none"> • An excessive amount of detergent has been added, causing extra suds; additional rinsing has not corrected the issue. 	<ul style="list-style-type: none"> • Use less detergent. Verify detergent is fit for use in front load washers. Look for this symbol on the detergent label: .
Water		
Water collects in folds of the bellows at the end of the cycle.	<ul style="list-style-type: none"> • This is a result of the washing action and is part of the normal operation of the washer. 	
Water collects in bleach and fabric softener compartments.	<ul style="list-style-type: none"> • This is a result of the siphoning action and is part of the normal operation of the washer. 	<ul style="list-style-type: none"> • Water may be removed by removing the dispenser drawer (see <i>Care and Cleaning</i> in this guide) and draining water into the empty drum or sink.

OCCURRENCE	POSSIBLE CAUSES	SOLUTION
Wash load too wet after spin.	<ul style="list-style-type: none"> • Washer is overloaded. • Load is too small. • Load is out of balance. • Drain hose is kinked. 	<ul style="list-style-type: none"> • Do not overload washer. See <i>Operating Instructions</i>. • Add 1 or 2 similar items to help balance the load. • Rearrange load to allow proper spinning. • Straighten drain hose.
Water does not enter washer or it enters slowly.	<ul style="list-style-type: none"> • Water supply is not adequate in area. • Water supply faucets are not completely open. • Water is being used elsewhere in the house. Water pressure must be at least 10 psi (70 kPa). • Water inlet hoses are kinked. 	<ul style="list-style-type: none"> • Check another faucet in the house. Wait until water supply and pressure increase. • Fully open hot and cold faucets. • Avoid running water elsewhere while washer is filling. • Straighten hoses.
Warm or hot water is not hot enough.	<ul style="list-style-type: none"> • Hot water heater is set too low or is a distance from washer. • Hot water is being used elsewhere in the house. 	<ul style="list-style-type: none"> • Measure hot water temperature at nearby faucet with candy or meat thermometer. Water temperature should be at least 120°F (49°C). Adjust water heater as necessary. • Avoid using hot water elsewhere before or during washer use. There may not be enough hot water available for proper cleaning. If problem persists, your hot water system may be unable to support more than 1 use at a time.
Water in washer does not drain or drains slowly.	<ul style="list-style-type: none"> • Drain hose is kinked or clogged. • Drain hose standpipe is too tall. Maximum standpipe height is 56.5" (144 cm). • House drain pipes are clogged. 	<ul style="list-style-type: none"> • Clean and straighten the drain hose. • Reduce standpipe height to less than 56.5" (144 cm). See <i>Installation Instructions</i>. • Unclog drain pipes. Contact plumber if necessary.
Water leaks.	<ul style="list-style-type: none"> • Fill hose connection is loose at faucet or washer. 	<ul style="list-style-type: none"> • Check and tighten hose connections. Ensure rubber sealing washers are installed.
Oversudsing.	<ul style="list-style-type: none"> • Wrong detergent. • Too much detergent. 	<ul style="list-style-type: none"> • Run rinse cycle. Use a low-sudsing, high efficiency detergent. • Run rinse cycle. Use less detergent in future loads.
Incorrect wash and rinse temperatures.	<ul style="list-style-type: none"> • Hot and cold water hoses are connected to wrong supply faucets. 	<ul style="list-style-type: none"> • Connect hot water hose to hot water faucet and cold water hose to cold water faucet.
Water is entering washer but tub does not fill.	<ul style="list-style-type: none"> • Drain hose standpipe is too low. Standpipe must be a minimum of 24" (61 cm) high to prevent siphoning. 	<ul style="list-style-type: none"> • Increase standpipe height to at least 24" (61 cm). See <i>Installation Instructions</i>.

30 Solutions to Common Problems

In some instances, an alarm code will be shown on the display and a tone will be emitted by the unit. The alarm code will be flashed in alternating fashion between the letters "AL" and a specific two-character code. Before calling for Service, refer to the table below for possible solutions to the alarm codes listed.

ALARM CODE	POSSIBLE CAUSES	SOLUTION
AL 10	The appliance is not filling with water properly.	<ul style="list-style-type: none">• Ensure the water tap is fully open.• Ensure the water pressure is not too low. For this information, contact your local water authority.• Ensure the water tap is not clogged.• Ensure the inlet hose has no kinks, damages or bends.• Ensure the inlet hose is properly connected.• Ensure the filter of the inlet hose is not clogged.• Reset the appliance by either turning the knob to the reset position (12 o'clock position) or powering off the unit off and back on.
AL 20	The appliance is not draining water properly.	<ul style="list-style-type: none">• Ensure the drain hose has no kinks or bends.• Ensure the drain hose is not clogged.• Ensure the drain hose is connected properly.• Ensure the house drain pipes are not clogged. Contact a plumber if necessary.• Reset the appliance by either turning the knob to the reset position (12 o'clock position) or powering off the unit off and back on.• If water was left in the drum and needs to be drained, turn the knob to the "rinse & spin" cycle, deselect the "fresh rinse" option and change the spin option to "NO SPIN", then press start.
AL 40	The door is open or not shut completely when the start button is pressed.	<ul style="list-style-type: none">• Close the door completely.• Reset the appliance by either turning the knob to the reset position (12 o'clock position) or powering off the unit off and back on.
AL 91	There is a disrupt in internal communication between electronic elements of the unit.	<ul style="list-style-type: none">• Reset the appliance by either turning the knob to the reset position (12 o'clock position) or powering off the unit off and back on.
AL F0	The anti-flood device has been activated.	<ul style="list-style-type: none">• Close the water taps to the washer inlet hoses.• Unplug the appliance.• Call for Service.
AL H0	There is an issue with the power supply.	<ul style="list-style-type: none">• Wait until the power supply is stable.• Ensure the power cord is still in proper operating condition.• Ensure the wall outlet is in proper operating condition.• Reset the appliance by either turning the knob to the reset position (12 o'clock position) or powering off the unit off and back on.

If any other Alarm Codes other than the ones listed above are shown on the display, first try to reset the appliance by either turning the knob to the reset position (12 o'clock position) or powering off the unit off and back on. If any Alarm Code reappears after resetting the appliance, contact Service for further assistance.

For the applicable warranty period as set forth below, as measured from your original date of purchase, Electrolux will repair or replace any parts of this appliance that prove to be defective in materials or workmanship when such appliance is installed, used and maintained in accordance with the provided instructions.

Warranty Periods:

- All parts — One year including labor. In addition, your appliance is covered by a one year, parts only, limited warranty. During the 2nd year from your original date of purchase, Electrolux will pay for parts needed for this appliance that have proven to be defective in materials or workmanship when your appliance is installed, used, and maintained in accordance with the provided instructions.
- Inner wash tub (washer) — Functional life of the product (excluding labor)
- Wash tub drive motor (washer), non-cosmetic defects — Ten years (excluding labor)

Exclusions

This warranty does not cover the following:

1. Products with original serial numbers that have been removed, altered or cannot be readily determined.
2. Product that has been transferred from its original owner to another party or removed outside the USA or Canada.
3. Rust on the interior or exterior of the unit.
4. Products purchased "as-is" are not covered by this warranty.
5. Products used in a commercial setting.
6. Service calls which DO NOT involve malfunction or defects in materials or workmanship, or for appliances not in ordinary household use or used other than in accordance with the provided instructions.
7. Service calls to correct the installation of your appliance or to instruct you how to use your appliance.
8. Expenses for making the appliance accessible for servicing, such as removal of trim, cupboards, shelves, etc., which are not a part of the appliance when it is shipped from the factory.
9. Service calls to repair or replace appliance light bulbs, air filters, water filters, other consumables, or knobs, handles, or other cosmetic parts.
10. Pickup and delivery costs; your appliance is designed to be repaired in the home.
11. Surcharges including, but not limited to, any after hour, weekend, or holiday service calls, tolls, ferry trip charges, or mileage expense for service calls to remote areas, including the state of Alaska.
12. Damages to the finish of appliance or home incurred during transportation or installation, including but not limited to floors, cabinets, walls, etc.
13. Damages caused by: services performed by unauthorized service companies; use of parts other than genuine Electrolux parts or parts obtained from persons other than authorized service companies; or external causes such as abuse, misuse, inadequate power supply, accidents, fires, or acts of God.

DISCLAIMER OF IMPLIED WARRANTIES; LIMITATION OF REMEDIES

CUSTOMER'S SOLE AND EXCLUSIVE REMEDY UNDER THIS LIMITED WARRANTY SHALL BE REPAIR OR REPLACEMENT AS PROVIDED HEREIN. **CLAIMS BASED ON IMPLIED WARRANTIES, INCLUDING WARRANTIES OF MERCHANTABILITY OR FITNESS FOR A PARTICULAR PURPOSE, ARE LIMITED TO ONE YEAR OR THE SHORTEST PERIOD ALLOWED BY LAW, BUT NOT LESS THAN ONE YEAR. ELECTROLUX SHALL NOT BE LIABLE FOR CONSEQUENTIAL OR INCIDENTAL DAMAGES SUCH AS PROPERTY DAMAGE AND INCIDENTAL EXPENSES RESULTING FROM ANY BREACH OF THIS WRITTEN LIMITED WARRANTY OR ANY IMPLIED WARRANTY. SOME STATES AND PROVINCES DO NOT ALLOW THE EXCLUSION OR LIMITATION OF INCIDENTAL OR CONSEQUENTIAL DAMAGES, OR LIMITATIONS ON THE DURATION OF IMPLIED WARRANTIES, SO THESE LIMITATIONS OR EXCLUSIONS MAY NOT APPLY TO YOU. THIS WRITTEN WARRANTY GIVES YOU SPECIFIC LEGAL RIGHTS. YOU MAY ALSO HAVE OTHER RIGHTS THAT VARY FROM STATE TO STATE.**

If You Need Service

Keep your receipt, delivery slip, or some other appropriate payment record to establish the warranty period should service be required. If service is performed, it is in your best interest to obtain and keep all receipts. Service under this warranty must be obtained by contacting Electrolux at the addresses or phone numbers below.

This warranty only applies in the USA, Puerto Rico and Canada. In the USA and Puerto Rico, your appliance is warranted by Electrolux Major Appliances North America, a division of Electrolux Home Products, Inc. In Canada, your appliance is warranted by Electrolux Canada Corp. Electrolux authorizes no person to change or add to any obligations under this warranty. Obligations for service and parts under this warranty must be performed by Electrolux or an authorized service company. Product features or specifications as described or illustrated are subject to change without notice.

USA

1-877-435-3287

Electrolux Home Products, Inc.,
North America
10200 David Taylor Drive
Charlotte, NC 28262



Canada

1-800-265-8352

Electrolux Canada Corp.
5855 Terry Fox Way
Mississauga, Ontario, Canada
L5V 3E4

electrolux.com/shop

